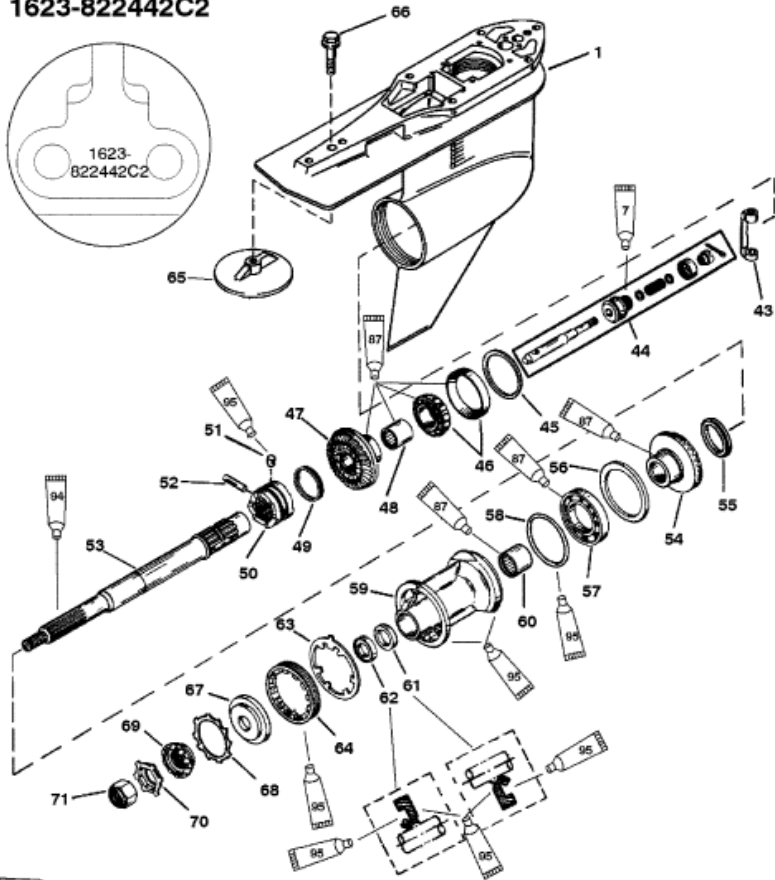


CASTING #
1623-822442C2



- Loctite 271 (Obtain Locally)
- Super Duty Gear Lubricant (92-13783A24)
- Anti-Corrosion Grease (92-78376A6)
- 2-4-C With Teflon (92-825407A12)

Parts List						
Ref	Class	Part	Description	Qty	Comment	Footnote
1	1623	822442A25	GEAR HOUSING	1	(BASIC-BLACK)WHEN STOCK IS	
1	1623	822442A26	GEAR HOUSING	1	(BASIC-GRAY) WHEN STOCK IS	
43		823903	SHIFT CRANK	1		
44		818349A 1	SHIFT SPOOL KIT	1		
45	15	47397A 1	SHIM	AR		6
46	31	35928A 1	TAPERED ROLLER BEARING	1	(USE WITH 1623-822442C2 CAS	
46	31	828439A 2	TAPERED ROLLER BEARING	1	(USE WITH 1623-822442C3 CAS	
47	43	826181A 2	FORWARD GEAR SET (INCLUDE	1		
48	31	30895	ROLLER BEARING	1		
49	24	30893	SPRING	1		
50	52	824112	SLIDING CLUTCH	1		
51	17	78909	DETENT PIN	1		
52	17	30632	CROSS PIN	1		
53	44	824110	PROPELLER SHAFT	1		
54	43	826182A 1	REVERSE GEAR	1		
55	23	824108	THRUST SPACER	1		
56		68100 1	THRUST RING	1		
57	30	88957	BALL BEARING	1		
58	25	31534	O RING	1		7
59		818763A11	BEARING CARRIER	1		
60	31	30956	ROLLER BEARING	1		
61	26	14077	OIL SEAL (INSIDE)	1		7
62	26	76868	OIL SEAL (OUTSIDE)	1		7
63	14	18323	TAB WASHER	1		
64		79448	COVER	1		
65		76214A 5	ANODIC PLATE	1	THESE PARTS ARE NOT INCLU	
66	10	806327	SCREW	1	THESE PARTS ARE NOT INCLU	
67	12	835467	THRUST HUB	1	THESE PARTS ARE NOT INCLU	
68	13	42351 1	LOCKWASHER	1	THESE PARTS ARE NOT INCLU	
69	12	31211A 2	WASHER	1	THESE PARTS ARE NOT INCLU	
70	14	816629	TAB WASHER	1	THESE PARTS ARE NOT INCLU	
71	11	52707A 1	PROPELLER NUT	1	THESE PARTS ARE NOT INCLU	
-	26	816575A 5	G/H SEAL KIT	1		